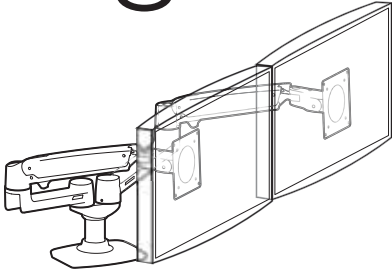
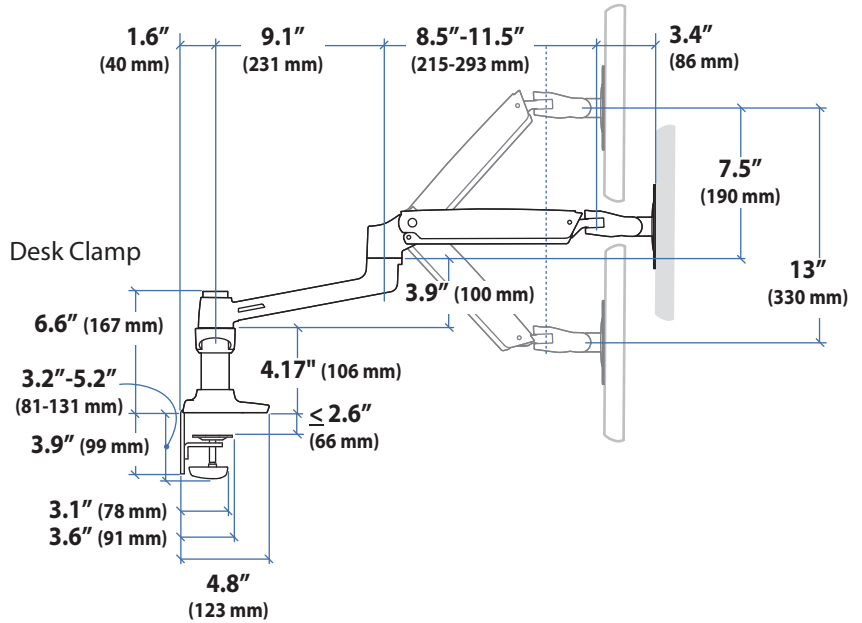


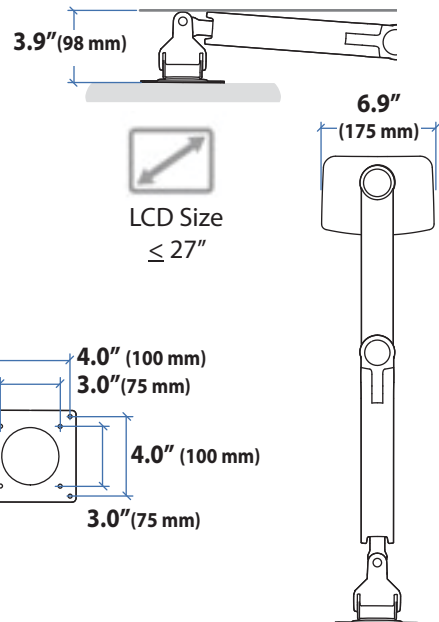
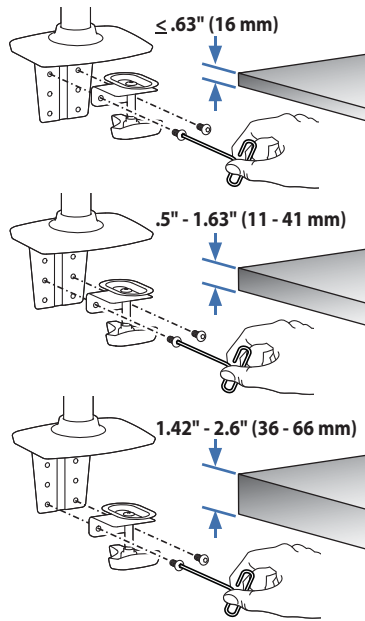
# LX Dual Side by Side Arm



## Dimensions



## Desk Clamp



© 2016 Ergotron, Inc. rev. 12/17/2018 DIM-LXSXSWT Content is subject to change without notification

### Americas Sales and Corporate Headquarters

St. Paul, MN USA  
 (800) 888-8458  
 +1-651-681-7600  
 www.ergotron.com  
 sales@ergotron.com

### EMEA Sales

Amersfoort, The Netherlands  
 +31 33 45 45 600  
 www.ergotron.com  
 info.eu@ergotron.com

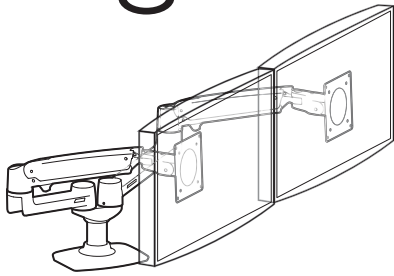
### APAC Sales

Tokyo, Japan  
 www.ergotron.com  
 japansupport@ergotron.com

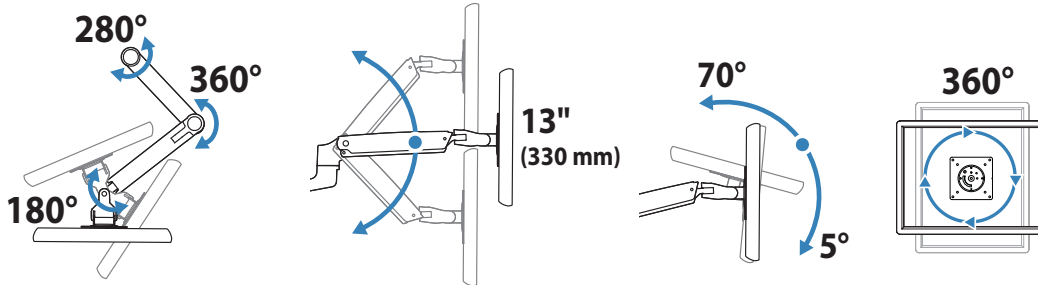
### Worldwide OEM Sales

www.ergotron.com  
 info.oem@ergotron.com

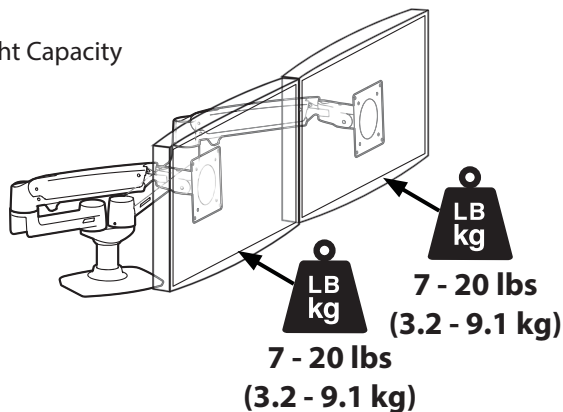
# LX Dual Side by Side Arm



## Range of Motion



## Weight Capacity



Monitor depth greater than 2.5" (64 mm) may diminish capacity.  
Call Ergotron for more information.